

Only usable in Hpe_IRP2

General Description:

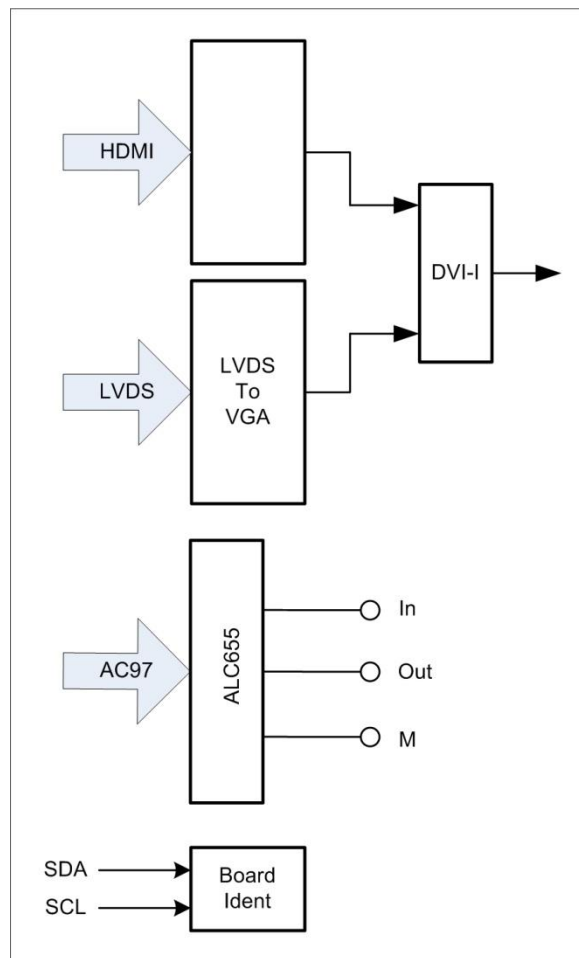
The HD-AH1 is an audio and display child board for the Hpe_IRP2. It can be used together with Q7 module with an NVIDIA Tegra2 CPU.

This child board support a dual display on the DVI connector. The digital part of the connector is generated from the HDMI output (no converter necessary) and the analogue part of the connector (VGA) is generated from the LVDS signals.

The AC97 audio signal is converted to a line in and a line out signal plus a microphone input.

Picture
soon available

Block Diagram:



Pin description:

A1	GND	A2	GND	B1	Q7_LVDS_A_CLK+	B2	Q7_LVDS_B_CLK+
A3	NC	A4	GND	B3	Q7_LVDS_A_CLK-	B4	Q7_LVDS_B_CLK-
A5	NC	A6	GND	B5	Q7_LVDS_PPEN	B6	Q7_LVDS_DID_CLK
A7	GND	A8	GND	B7	Q7_LVDS_A0+	B8	Q7_LVDS_B0+
A9	Q7_HDMI_RED+	A10	GND	B9	Q7_LVDS_A0-	B10	Q7_LVDS_B0-
A11	Q7_HDMI_RED-	A12	GND	B11	Q7_LVDS_A1+	B12	Q7_LVDS_B1+
A13	GND	A14	GND	B13	Q7_LVDS_A1-	B14	Q7_LVDS_B1-
A15	NC	A16	GND	B15	VCC3V3	B16	GND
A17	NC	A18	GND	B17	VCC3V3	B18	GND
A19	GND	A20	GND	B19	VCC3V3	B20	GND
A21	Q7_HDMI_GREEN+	A22	GND	B21	VCC5V	B22	GND
A23	Q7_HDMI_GREEN-	A24	GND	B23	VCC5V	B24	GND
A25	GND	A26	GND	B25	VCC5V	B26	GND
A27	Q7_HDMI_CTRL_DAT	A28	CBV_MIC_IN_L	B27	VCC12V	B28	GND
A29	Q7_HDMI_CTRL_CLK	A30	CBV_MIC_IN_R	B29	VCC12V	B30	GND
A31	GND	A32	GND	B31	VCC12V	B32	CBV_I2C_SCL
A33	GND	A34	CBV_LINE_IN_L	B33	VCC2V5	B34	GND
A35	Q7_SPEAKER	A36	CBV_LINE_IN_R	B35	VCC2V5	B36	CBV_I2C_SDA
A37	Q7_PCIE_RST#	A38	GND	B37	VCC2V5	B38	GND
A39	GND	A40	CBV_LINE_OUT_R	B39	VCC1V8	B40	GND
A41	GND	A42	CBV_LINE_OUT_L	B41	VCC1V8	B42	GND
A43	NC	A44	GND	B43	VCC1V8	B44	GND
A45	NC	A46	GND	B45	Q7_HDA_BITCLK	B46	GND
A47	GND	A48	GND	B47	Q7_LVDS_BLEN	B48	GND
A49	Q7_HDMI_BLUE+	A50	GND	B49	Q7_LVDS_BLT_CTRL	B50	GND
A51	Q7_HDMI_BLUE-	A52	GND	B51	Q7_HDA_SDI	B52	GND
A53	GND	A54	GND	B53	Q7_HDA_SDO	B54	Q7_LVDS_BLC_DAT
A55	Q7_HDA_SYNC	A56	GND	B55	Q7_HDMI_HPD#	B56	Q7_LVDS_BLC_CLK
A57	Q7_HDA_RST#	A58	GND	B57	Q7_LVDS_A2+	B58	Q7_LVDS_B2+
A59	GND	A60	GND	B59	Q7_LVDS_A2-	B60	Q7_LVDS_B2-
A61	Q7_HDMI_BCLK+	A62	GND	B61	Q7_DP_HPD#	B62	Q7_LVDS_DID_DAT
A63	Q7_HDMI_GREEN-	A64	GND	B63	Q7_LVDS_A3+	B64	Q7_LVDS_B3+
A65	GND	A66	GND	B65	Q7_LVDS_A3-	B66	Q7_LVDS_B3-

Copyright Notice

This document is copyrighted 2011 by Gleichmann Electronics Research (Austria) GmbH & Co KG. All rights are reserved. Gleichmann Electronics Research (Austria) GmbH & Co KG reserves the right to make improvements to the products described in this manual at any time without notice. No part of this data sheet may be reproduced, copied, translated or transmitted in any form or by any means without the prior written permission of GE Research.